

lamaPLC project: Arduino - Vibration sensors



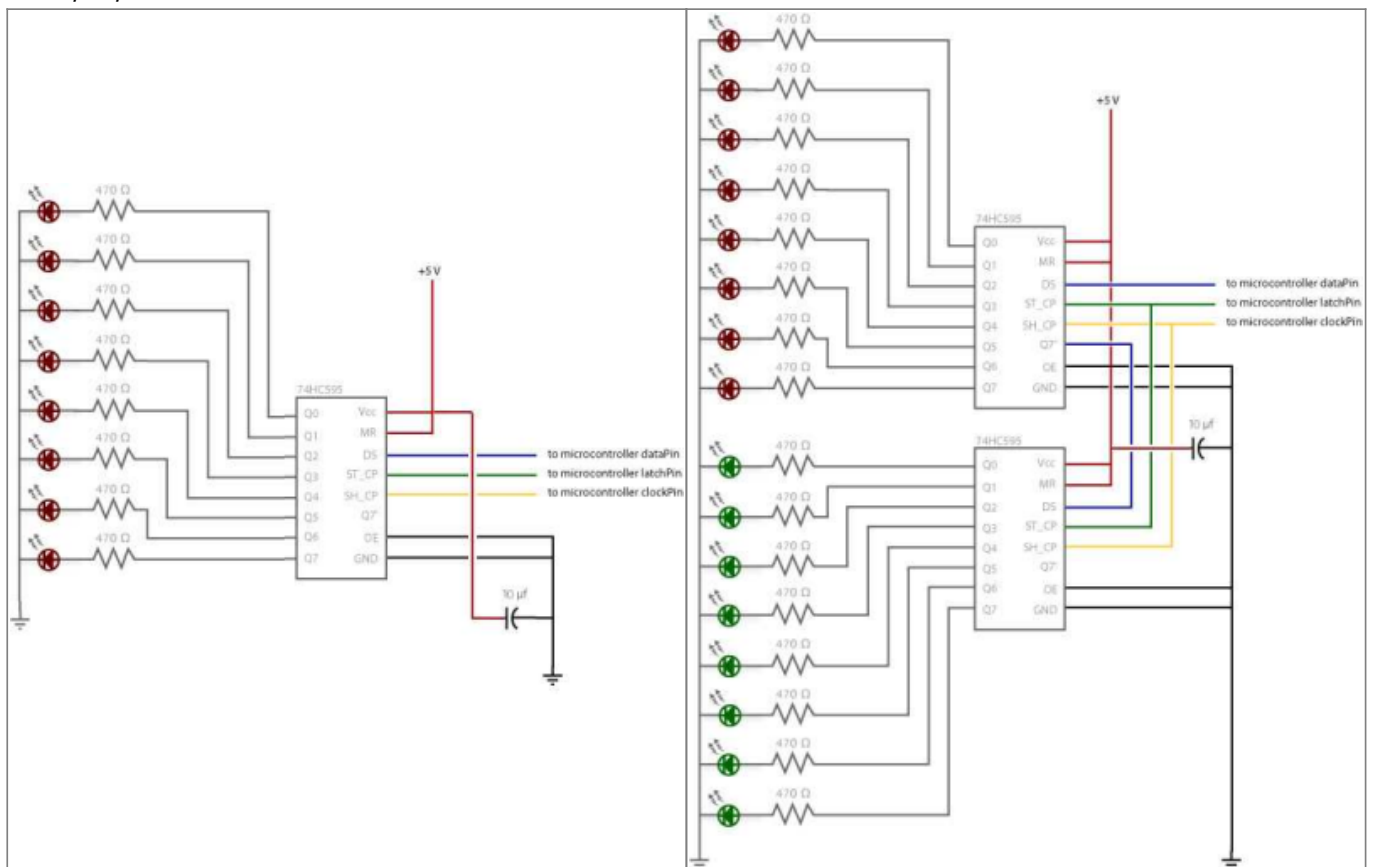
Technical data



If you'd like to support the development of the site with the price of a coffee — or a few — [please do so here](#).

Here's a handy tip: you can quickly save this page as a PDF by clicking "export to PDF" in the menu on the right side of the screen.

2026/02/14 22:38



Wiring

Communication topics on lamaPLC

Page	Date	Tags
<ul style="list-style-type: none"> • ISM Band 	2025/11/10 18:53	ism, ism band, rfid, nfc, dash7, hc-12, arduino, zigbee, z-wave, bluetooth, wi-fi, thread, miwi, nrf24, starlink, wiegand, rf, communication, bus, radio, ku band, ka band, k band, x band
<ul style="list-style-type: none"> • lamaPLC Communication: 1-Wire 	2025/05/31 21:56	1-wire, communication, bus, microlan, i2c, uart, usart, ds18b20
<ul style="list-style-type: none"> • lamaPLC Communication: AS-i 	2025/05/31 22:51	bus, communication, as-i, basic, industrial ethernet, devicenet, interbus, manchester-ii, apm
<ul style="list-style-type: none"> • lamaPLC Communication: Bluetooth basic 	2025/11/19 21:52	communication, bus, bluetooth, ism, ieee, 802.15.1, ble, lmp, l2cap, rfcomm, iot, arduino, hc-05, hc-06
<ul style="list-style-type: none"> • lamaPLC Communication: CAN 	2025/11/20 20:43	communication, bus, can, canopen, most, automotive ethernet, sent sae-j2716, flexray, lin bus
<ul style="list-style-type: none"> • lamaPLC Communication: ControlNet 	2025/05/31 22:58	bus, communication, devicenet, cip, can, ethernet ip, ethernet, controlnet, mac, peer-to-peer, allen-bradley, rockwell automation, fieldbus, rg-6, coaxial cable
<ul style="list-style-type: none"> • lamaPLC Communication: DALI 	2024/11/16 20:08	communication, rs-232, dali, light technic, diia, selv, manchester, asynchronous, half-duplex, serial, iec 62386, d4i, dali-2, dt6, dt8
<ul style="list-style-type: none"> • lamaPLC Communication: DASH7 	2024/11/16 20:21	bus, communication, dash7, ism, srd, aes 128, d7a, blast, iot, rfid
<ul style="list-style-type: none"> • lamaPLC Communication: DeviceNet 	2024/11/16 19:43	bus, communication, devicenet, 62026-3, cip, can, ethernet ip, ethernet, controlnet, mac, peer-to-peer, canopen, allen-bradley, rockwell automation, bosch
<ul style="list-style-type: none"> • lamaPLC Communication: DMX512 	2024/11/16 00:16	bus, communication, dmx512, dmx512-a, rs-485, xlr3, xlr5
<ul style="list-style-type: none"> • lamaPLC Communication: EtherNet/IP 	2024/11/17 00:26	communication, ethernet, bus, ip, cip, ethernet ip, udp, industrial ethernet, ie, tcp, unicast, devicenet, controlnet, ieee 802.3
<ul style="list-style-type: none"> • lamaPLC Communication: GPS 	2024/11/15 20:15	communication, satellite, navigation, gps, ocx, cdma, glonass, beidou, galileo, qzss, uart, arduino
<ul style="list-style-type: none"> • lamaPLC Communication: IEC 61850 basic 	2025/09/23 21:03	1-wire, communication, bus, xml, iec 61850, iec, ethernet, scl, goose, ied
<ul style="list-style-type: none"> • lamaPLC Communication: InterBus 	2024/11/16 00:46	bus, communication, interbus, phoenix contact, en 50254, iec 61158

• lamaPLC Communication: IoT	2025/05/31 22:50	communication, iot, internet, iomt, 6lowpan, ipv4, ipv6, bluetooth, ble, li-fi, nfc, rfid, wi-fi, zigbee, z-wave, lte-advanced, 5g, lora, dash7, lpwan, lorawan, sigfox, nb-iot, weightless, rpma, mioty, vsat, ethernet, thread, matter
• lamaPLC Communication: I²C	2025/09/23 19:25	i2c, i c, smbus, philips, bus, communication, arduino
• lamaPLC Communication: KNX / EIB	2024/11/15 20:18	communication, bus, knx, knx tp, knx pl, knx rf, knx ip, eib, ehs, batibus, ethernet, ets
• lamaPLC Communication: LoRa, LoRaWAN and LoRa Mesh	2026/03/05 15:43	communication, bus, lora, lorawan, loramesh, mesh, ism, the things network, ttn, aloha, beaconing, csma, csma-ca, mac, adaptive data rate, adr, spreading factor, sf, transmission power, eu863, eu863-870, eu433, us902-928, au915-928, as923, in865-867, cn433, cn470, cn779, cn920, semtech, sx1261, sx1262, sx1276, sx1272, sx1278, encoding rate, er, time on air, toa, iot, netid, listen before talk, lbt
• lamaPLC communication: Matter	2024/11/15 20:21	communication, iot, matter, ethernet, tcp, udp, ipv6, thread, ble, cellular, wifi, pki, ip
• lamaPLC Communication: Modbus	2025/11/19 21:42	modbus, communication, bus, modicon, standard, rtu, tcp, multimaster, coil, register
• lamaPLC Communication: MQTT	2024/11/15 20:28	communication, mqtt, iot, tcp, udp, bluetooth, tcp ip, quic, mqtt-sn, oasis, message broker, mosquitto, qos, arduino, iso iec 20922
• lamaPLC Communication: NFC	2025/05/31 22:16	communication, nfc, rfid, bluetooth, ble, manchester, ask, iso iec 18092
• lamaPLC Communication: NRF24	2024/11/16 01:26	bus, communication, nrf24, ism, ism band, gfsk, rpd, arduino
• lamaPLC Communication: OPC	2024/11/15 20:33	communication, opc, scada, ole, net, xml, tcp, hmi, server, opc ua, opc ua client, mqtt, json, dcom, simatic, erp
• lamaPLC Communication: PowerLink	2024/11/15 21:15	communication, bus, ethernet, tcp, udp, http, powerlink, fast ethernet, opensafety
• lamaPLC Communication: Profibus	2024/11/16 19:09	profibus, profibus pa, profibus dp, communication, fieldbus, bus, iec 61158, iec 61784-1, profinet, rs-485
• lamaPLC Communication: RFID	2025/05/31 21:52	communication, rfid, radio, rf, aidc, prat, arpt, arat, bap, uhf, nfc, em4100, t5557, tag, manchester, fsk, psk, biphas, nrz
• lamaPLC Communication: RS-232	2024/11/15 21:51	bus, communication, rs-232, rs, basic
• lamaPLC Communication: RS-422	2024/11/15 21:50	bus, communication, rs-422, rs, basic

• lamaPLC Communication: RS-485	2024/11/15 21:52	bus, communication, rs-485, rs, basic, profibus
• lamaPLC Communication: SCADA	2024/11/17 00:33	communication, scada, industry, industrial, hmi
• lamaPLC Communication: Sinec H1	2024/11/16 20:44	communication, bus, fieldbus, sinec-h1, s5, s7, simatic, siemens, industrial ethernet, ie, iec 8073
• lamaPLC Communication: SPI	2024/11/15 21:58	bus, communication, spi, basic, arduino, ssi, sdi, miso, sdo
• lamaPLC Communication: TCP / UDP Basic	2025/11/20 21:49	communication, bus, tcp, udp, tcp ip, darpa, ietf, smtp, http, https, ftp, ftps, ssh, pop3, imap, mysql, cpanel, whm, ssl, webmail, mqtt, ethernet, ip
• lamaPLC communication: Thread	2024/11/15 22:07	bus, communication, matter, thread, matter over thread, zigbee, aes, ipv6, iot, 6lowpan, ethernet, wifi
• lamaPLC Communication: UART / USART basic	2025/02/11 20:21	bus, communication, uart, rs-232, rs-422, rs-485
• lamaPLC Communication: USB	2025/11/20 23:07	usb, usb otg, otg, msc, ums, mtp, dfu, uac, adc, communication, bus, basic
• lamaPLC Communication: Wi-Fi	2024/11/16 18:46	communication, iot, internet, wi-fi, wifi, ieee 802.11
• lamaPLC Communication: Wiegand	2024/11/16 23:39	wiegand, communication, interface, cr80, iec 7810, h10301, hid, wiegand 26, wiegand 32, wiegand 34, wiegand 35, wiegand 37, wiegand 38, wiegand 42
• lamaPLC Communication: WS2812	2024/11/15 23:36	bus, communication, ws2812, ws2812b, ws 2812, ws 2812 b, 5050smd, 4020, 2020, 3535, 5050, nzt, rgb chip, led, arduino, rgb
• lamaPLC Communication: Z-Wave	2024/11/17 21:25	communication, ethernet, bus, ip, z-wave, ism
• lamaPLC Communication: Zigbee	2024/11/17 21:43	communication, ethernet, bus, ip, zigbee, wpan, bluetooth, wi-fi, ism, ieee 802.15.4, zdo, zigbee pro, zc, zr, zed, smart energy, homegrid, homeplug, powerline, ipso, sunspec, 6lowpan, ipv6, rf4ce
• LamaPLC: AHT10 Modul	2026/03/21 19:20	communication, i2c, temperature, humidity, sensor, aht, aht 10, modul
• lamaPLC: AI-Thinker LoRA products	2026/03/05 15:40	ai-thinker, lora manufacturer, communication, lora, modul, ra-01, ra-02, spi, arduino
• LamaPLC: APDS - Avago ALS and proximity detection sensors with I²C communication	2026/02/14 22:24	avago, apds-9900, apds-9930, apds-9960, als, proximity, detection, gesture recognition, gesture, i2c, communication, sensor, arduino, code
• lamaPLC: AS5600 Magnetic Induction Angle Measurement Sensor Module	2026/03/28 22:50	communication, i2c, as5600, as-5600, magnetic, induction, angle, sensor

• LamaPLC: BMP/BME Bosch Temperature/Humidity/Pressure sensors with I ² C communication	2026/02/15 20:40	bme280, bme680, bmp180, bmp280, hw-611, hw611, bosch, temperature, humidity, pressure, sensor, arduino, i2c, communication, cjmcu
• lamaPLC: CJMCU-164; SN74HC164D 8-bit Shift Register Module	2026/02/14 22:48	cjmcu-164, sn74hc164d, 8-bit shift register, communication, 7-segment, cjmcu, arduino
• LamaPLC: CJMCU-219/INA-219 breakout board/IC with I ² C communication	2026/02/14 23:37	cjmcu-219, ina-219, ina219, breakout board, i2c, communication, sensor, voltage, current, arduino, code, cjmcu
• LamaPLC: CJMCU-3216 / AP-3216 integrated digital ambient light and proximity sensor module/IC with I ² C communication	2026/02/14 22:40	cjmcu-3216, cjmcu, ap-3216, ap3216, ambient light, proximity, sensor, arduino, code, i2c, communication
• LamaPLC: CJMCU-3901/PMW-3901 compact optical flow sensor module/IC by PixArt with SPI communication	2026/02/14 22:39	cjmcu-3901, cjmcu, pmw3901, pmw-3901, optical flow, sensor, pixart, spi, communication, arduino, code, pmw3901mb-txqt
• LamaPLC: CJMCU-6701: Biosensor for measuring Galvanic Skin Response (GSR) with SPI communication	2026/02/14 23:39	cjmcu, cjmcu-6701, acs758, acs-758, galvanic skin response, gsr, electrodermal activity, eda, spi, communication, arduino, code, sensor, healthcare
• LamaPLC: DPS Infineon Temperature/Pressure sensors with I2C communication	2026/02/14 18:11	dps310, infineon, temperature, pressure, sensor, arduino, i2c, communication, code
• lamaPLC: DS18B20 1-Wire Digital Thermometer	2026/02/15 20:44	ds18b20, sensor, 1-wire, communication, arduino, thermometer, parasitic mode
• lamaPLC: Ebyte LoRA products	2026/03/05 15:20	ebyte, lora manufacturer, communication, lora, modul
• lamaPLC: Energy, power, current, and voltage	2025/05/31 21:32	i2c, i c, communication, arduino, energy, power, current, sensor, ina226
• LamaPLC: ENS ScioSense Multi-gas sensors with I ² C communication	2026/02/14 19:29	ens160, sciosense, gas-quality, i2c, communication, sensor, arduino, code, eco ₂ , tvoc, aqi, indoor air quality, iaq, co ₂ , voc
• lamaPLC: ESP32 / ESP8266	2025/11/21 23:07	esp8266, esp32, esp32-c2, esp32-c3, esp32-c5, esp32-c6, esp32-c61, esp32-h2, esp32-s2, esp32-s3, esp32-p4, espressif systems, communication, ethernet, ip, wi-fi, thread, zigbee, matter, homekit, bluetooth, mqtt, adc, spi, uart, i2c, i2s, rmt, pwm, usb, usb otg, twai
• LamaPLC: Gas sensors	2023/07/01 15:29	gas, sensor, i2c, onewire, communication, mq-3, mq-4, mq-5, mq-6, mq-7, mq-8, mq-9, mq-135, gm-102b, gm-302b, gm-502b, gm-702b, alcohol, ch4, natural gas, smoke, lng, co, co2, lpg, h2, iso-butane, nox, nh3, benzene, town gas, formaldehyde, propane, humidity, temperature, voc, grv gas sens v2

• LamaPLC: GY-9250 MPU-9250/6500 9-axis Attitude Sensor Board	2026/02/14 22:45	ak8963 , gy-9250 , mpu-9250 , 9-axis , motion detection , magnetometer , communication , i c , i2c , spi
• LamaPLC: HDC Texas Instruments Temperature/humidity sensors with I²C communication	2026/02/14 22:09	sht21 , htu21 , si7021 , gy-21 , gy-213v , hdc1080 , gy-213v-hdc1080 , cjmcu , cjmcu-1080 , texas instruments , temperature , humidity , sensor , i2c , communication , arduino , code
• LamaPLC: HTU TE Connectivity temperature/humidity sensors with I²C communication	2026/02/14 21:54	htu , htu31d , htu21d , htu20d , sht20 , htu20 , sht21 , htu21 , si7021 , gy-21 , gy-213v , hdc1080 , si702 , gy-20 , sht31 , htu31 , si7031 , gy-31 , te connectivity , temperature , humidity , i2c , communication , sensor , arduino , code
• LamaPLC: HX711 24-bit analog-to-digital converter (ADC)	2026/02/15 23:59	hx711 , hx-711 , analog-to-digital , adc , converter , load cell , wheatstone bridge , weight , sensor , communication , arduino , code
• lamaPLC: INA modules with Arduino libraries	2026/03/28 18:02	i2c , i c , communication , arduino , energy , power , current , monitor , sensor , ina219 , gy-219 , ina226 , gy-216 , ina228 , gy-228 , ina237 , ina238 , ina260 , ina3221 , ina
• lamaPLC: INA226 - current/voltage/power monitor with I²C communication	2026/02/14 23:58	i2c , i c , communication , arduino , energy , power , current , monitor , sensor , ina226 , ina219 , ina
• lamaPlc: Industrial Ethernet (IE) Basic	2024/11/15 20:17	communication , bus , ethernet , industrial ethernet , ie , ethercat , ethernet ip , profinet , powerlink , sercos , iii , cc-link , modbus tcp , ieee , rstp , stp
• lamaPLC: LCD 1602/2004 with I²C communication	2026/02/14 17:27	communication , i2c , display , lcd , 1602 , 2004 , hd44780 , pcf8574 , pcf8574t , pcf8574at , arduino
• lamaPLC: LTC3588 - Nanopower energy harvesting power supply IC	2026/02/14 23:35	communication , arduino , sensor , energy harvesting , energy , ambient power
• LamaPLC: MAX30100/MAX30102 Heart Rate Click Sensor Module	2026/02/14 23:38	max30102 , max30100 , heart rate click , sensor , communication , i2c , arduino , code
• lamaPLC: MCP23017 / MCP23S17 16-Bit I/O Expander with Serial Interface I²C / SPI	2026/02/14 22:52	communication , i2c , mcp23017 , mcp23s17 , spi , i o expander , serial , cjmcu-2317 , cjmcu
• LamaPLC: MH-Z19 series of NDIR CO₂ sensors	2026/02/15 20:20	mh-z19 , mh-z19d , mh-z19c , mh-z19b , mh-z19e , ndir , co2 , sensor , winsen , uart , pwm , communication , non-dispersive infrared , infrared , ir , temperature , arduino , code , tasmota
• LamaPLC: Pixart PAJ7620U2 Gesture recognition sensors/module with I²C communication	2026/02/14 22:23	paj7620u2 , gy-paj7620 , pixart , gesture recognition , i2c , communication , sensor , arduino , code
• lamaPlc: Profinet	2024/11/15 20:39	communication , bus , profinet , mrp , rstp , gsdml , xml , profibus , ethernet , tcp
• lamaPLC: PTA8C04 4-channel PT100 Modbus Modul	2026/02/14 17:42	pta8c04 , sensor , modbus , rtu , rs-485 , communication , platine , um72

• LamaPLC: S7-1500 and Metrawatt EM2389 Modbus TCP communication	2024/11/18 17:55	simatic , s7 , modbus , communication , metrawatt , em2389 , source code , scl , mid
• LamaPLC: S7-1500 and Sicam Q200 Modbus TCP communication	2023/06/24 22:42	simatic , s7 , modbus , tia portal , communication , sicam , q200 , sicam q200 , source code , scl , class a
• lamaPLC: S7-1500 and UICPAL Temp.humi.sensor Modbus TCP communication	2023/06/19 21:24	bus , communication , s7 , simatic , s7 1500 , s7 1200 , scl , uicpal , temperature , humidity , modbus , example , download , tia portal
• LamaPLC: SGP Sensirion TVOC/VOC sensors with I²C communication	2026/02/15 20:27	sgp30 , sgp40 , sgp41 , sensirion , gas-sensor , i2c , communication , sensor , arduino , code , eco2 , voc , tvoc , indoor air quality , iaq , nox , hydrogen
• LamaPLC: SHT Sensirion Temperature/humidity sensor with I²C communication	2026/02/15 20:29	sht20 , sht21 , sht25 , sht30 , sht31 , sht35 , sht40 , gy21 , temperature , humidity , i2c , communication , sensor , arduino , code
• lamaPLC: TCA9548A (HW617); Low-Voltage 8-Channel I²C Switch Module	2026/02/14 22:51	tca9548a , hw617 , i2c , switch , communication , expansion board , arduino
• LamaPLC: Texas Instruments ADCs: Delta-sigma multi-channel Analog Converters with SPI communication	2026/02/15 22:34	ads111x , ads12xx , delta-sigma , converter , texas instruments , adc , spi , communication , sensor , arduino , code , ads1110 , ads1112 , ads1113 , ads1114 , ads1115 , ads1118 , ads1119 , ads1220 , ads1232 , ads1234 , ads1256 , ads1261 , ads1263 , multi channel
• LamaPLC: TOFnnnC STMicroelectronics Time-of-Flight (ToF) sensors with I²C communication	2026/02/14 22:22	tof050c , vl6180 , tof200c , vl53l0x , tof400c , vl53l1x , stmicroelectronics , time-of-flight , tof , i2c , communication , sensor , arduino , code
• lamaPLC: TWAI basics	2025/11/20 21:41	bus , communication , as-i , basic , can , twai , espressif , esp32
• LamaPLC: UICPAL Temp.humi.sensor	2023/06/24 22:43	simatic , s7 , modbus , communication , temperature , humidity , sensor
• LamaPLC: VL53Lnn STMicroelectronics time-of-flight (ToF) laser-ranging sensors with I²C communication	2026/02/14 22:21	vl53l0x , vl53l1x , vl53l0 1xv2 , gy-530 , time-of-flight , tof , laser-ranging , i2c , communication , sensor , arduino , code
• LamaPLC: VL6180X STMicroelectronics Time-of-Flight (ToF) sensor with I²C communication	2026/02/14 22:22	vl6180x , stmicroelectronics , time-of-flight , tof , i2c , communication , sensor , arduino , code
• lamaPLC: Waveshare LoRA products	2026/03/05 15:20	waveshare , lora manufacturer , communication , lora , modul , usb-to-lora-xf02 , core 1262 , 1262 , spi , arduino , rp2040-lora , rp2040
• LamaPLC: XTM35SC Modbus communication	2024/08/18 14:52	xtm35sc , modbus , modbus rtu , measuring , power , communication , current meter , voltmeter
• lamaPLC: YR-3180 - Weight sensor module with UART or Modbus communication	2026/02/14 23:00	communication , modbus , rtu , sensor , weight , yr-3180 , hx710b , arduino , ttl , rs-485

- [Magnetic angle sensors](#) 2026/03/05 20:19 [magnetic angle sensor, magnetic flux, sensor, spi, i2c, pwm, communication, modul, as5047p, as5600, mt6701, mt6816, mt6835, tle5012b, amr, gmr, tmr, anisotropic magnetoresistive](#)
- [NT18B07: 7 Kanal RS485 Temperatur Sensor with Modbus RTU](#) 2026/02/14 17:49 [nt18b07, sensor, modbus, rtu, rs-485, communication, platine](#)
- [Simatic Modbus S7 error- and statuscodes](#) 2025/11/13 22:59 [communication, bus, modbus, error, modbus error code, 7000, 7001, 7002, 7003, 7004, 7005, 7006, 80a1, simatic, s7, siemens, tia](#)
- [Waveshare](#) 2023/06/17 19:43 [waveshare, converter, modbus, modbus rtu, modbus tcp, communication](#)
- [XTM35SC current / voltage meter](#) 2023/06/01 11:45 [xtm35sc, modbus, modbus rtu, measuring, power, communication, current meter, voltmeter](#)

[BMP280, AHT20, temperature, humidity, pressure, sensor, arduino, oled, SH1106, arduino code](#)

This page has been accessed for: Today: 10, Until now: 15

From:
<https://www.lamaplc.com/> - **lamaPLC**

Permanent link:
<https://www.lamaplc.com/doku.php?id=sensor:vibration&rev=1776260520>

Last update: **2026/04/15 13:42**

