

lamaPLC project: Digitales Potentiometer Board Moduls

A digital potentiometer (or “digipot”), such as the **Renesas X9C** series, is a semiconductor device that replicates the function of a mechanical potentiometer—varying resistance—but replaces the manual knob with digital control signals.

Renesas X9C series

The X9C102, X9C103, X9C104, and X9C503 are digitally controlled (XDCCP) potentiometers. The device consists of a resistor array, wiper switches, a control section, and nonvolatile memory. The wiper position is controlled by a three-wire interface.

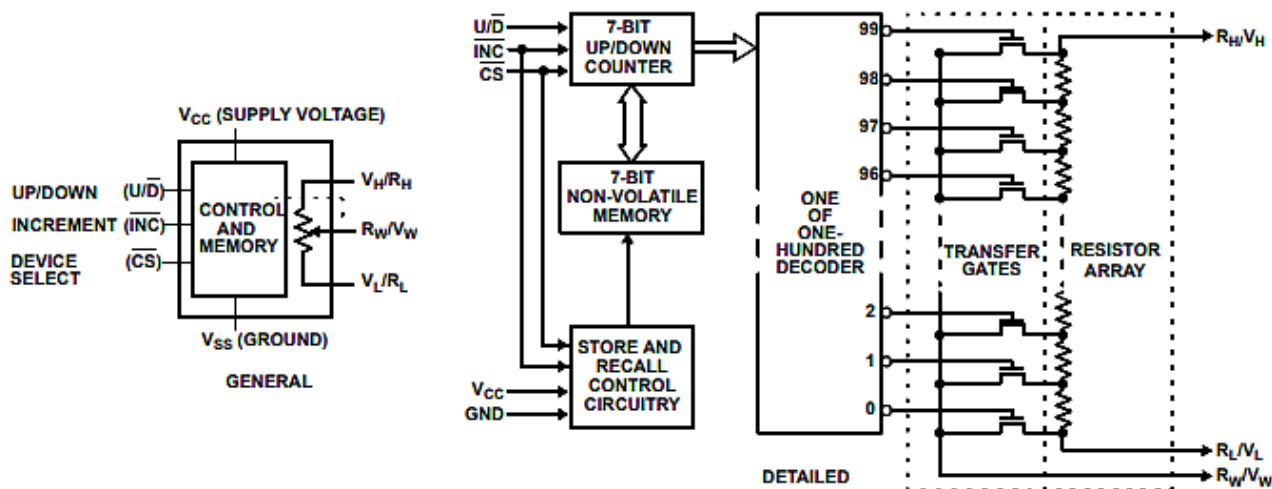


The potentiometer is implemented using a resistor array composed of 99 resistive elements and a wiper-switching network. Between each element and at either end are tap points accessible to the wiper terminal. The position of the wiper element is controlled by the CS, U/D, and INC inputs. The wiper position can be stored in non-volatile memory and recalled upon subsequent power-up.

The device can be used as a three-terminal potentiometer or a two-terminal variable resistor in a wide variety of applications, from control to signal processing to parameter adjustment.

Model	Total Resistance (R_{total})	Step Size (approx.)	Temp.Coefficient	Max Terminal Voltage Differential (ΔV)
X9C102	1 K Ω	10.1 Ω	+600 ppm/ $^{\circ}$ C	4 V
X9C103	10 K Ω	101 Ω	+300 ppm/ $^{\circ}$ C	10 V
X9C104	100 K Ω	505 Ω	+300 ppm/ $^{\circ}$ C	10 V
X9C503	50 K Ω	1010 Ω	+300 ppm/ $^{\circ}$ C	10 V

- **Resolution:** 100 Wiper Tap Points (0–99).
- **Interface:** 3-wire serial (CS, U/D, INC).
- **Memory:** Non-volatile EEPROM (retains position for 100 years).
- **Supply Voltage (Vcc):** 5V
- **Resistance Tolerance:** $\pm 20\%$ end-to-end.
- **Typical Wiper Resistance:** 40 Ω at 1 mA



Full datasheet: <https://www.renesas.com/en/document/dst/x9c102-x9c103-x9c104-x9c503-datasheet>

Wiring

Communication topics on lamaPLC

Page	Date	Tags
<ul style="list-style-type: none"> • ISM Band 	2025/11/10 18:53	ism, ism band, rfid, nfc, dash7, hc-12, arduino, zigbee, z-wave, bluetooth, wi-fi, thread, miwi, nrf24, starlink, wiegand, rf, communication, bus, radio, ku band, ka band, k band, x band
<ul style="list-style-type: none"> • lamaPLC Communication: 1-Wire 	2025/05/31 21:56	1-wire, communication, bus, microlan, i2c, uart, usart, ds18b20
<ul style="list-style-type: none"> • lamaPLC Communication: AS-i 	2025/05/31 22:51	bus, communication, as-i, basic, industrial ethernet, devicenet, interbus, manchester-ii, apm
<ul style="list-style-type: none"> • lamaPLC Communication: Bluetooth basic 	2025/11/19 21:52	communication, bus, bluetooth, ism, ieee, 802.15.1, ble, lmp, l2cap, rfcomm, iot, arduino, hc-05, hc-06
<ul style="list-style-type: none"> • lamaPLC Communication: CAN 	2025/11/20 20:43	communication, bus, can, canopen, most, automotive ethernet, sent sae-j2716, flexray, lin bus
<ul style="list-style-type: none"> • lamaPLC Communication: ControlNet 	2025/05/31 22:58	bus, communication, devicenet, cip, can, ethernet ip, ethernet, controlnet, mac, peer-to-peer, allen-bradley, rockwell automation, fieldbus, rg-6, coaxial cable
<ul style="list-style-type: none"> • lamaPLC Communication: DALI 	2024/11/16 20:08	communication, rs-232, dali, light technic, diia, selv, manchester, asynchronous, half-duplex, serial, iec 62386, d4i, dali-2, dt6, dt8

- [lamaPLC Communication: DASH7](#) 2024/11/16 20:21 [bus, communication, dash7, ism, srd, aes 128, d7a, blast, iot, rfid](#)
- [lamaPLC Communication: DeviceNet](#) 2024/11/16 19:43 [bus, communication, devicenet, 62026-3, cip, can, ethernet ip, ethernet, controlnet, mac, peer-to-peer, canopen, allen-bradley, rockwell automation, bosch](#)
- [lamaPLC Communication: DMX512](#) 2024/11/16 00:16 [bus, communication, dmx512, dmx512-a, rs-485, xlr3, xlr5](#)
- [lamaPLC Communication: EtherNet/IP](#) 2024/11/17 00:26 [communication, ethernet, bus, ip, cip, ethernet ip, udp, industrial ethernet, ie, tcp, unicast, devicenet, controlnet, ieee 802.3](#)
- [lamaPLC Communication: GPS](#) 2024/11/15 20:15 [communication, satellite, navigation, gps, oxc, cdma, glonass, beidou, galileo, qzss, uart, arduino](#)
- [lamaPLC Communication: IEC 61850 basic](#) 2025/09/23 21:03 [1-wire, communication, bus, xml, iec 61850, iec, ethernet, scl, goose, ied](#)
- [lamaPLC Communication: InterBus](#) 2024/11/16 00:46 [bus, communication, interbus, phoenix contact, en 50254, iec 61158](#)
- [lamaPLC Communication: IoT](#) 2025/05/31 22:50 [communication, iot, internet, iomt, 6lowpan, ipv4, ipv6, bluetooth, ble, li-fi, nfc, rfid, wi-fi, zigbee, z-wave, lte-advanced, 5g, lora, dash7, lpwan, lorawan, sigfox, nb-iot, weightless, rpma, mioty, vsat, ethernet, thread, matter](#)
- [lamaPLC Communication: I²C](#) 2025/09/23 19:25 [i2c, i c, smbus, philips, bus, communication, arduino](#)
- [lamaPLC Communication: KNX / EIB](#) 2024/11/15 20:18 [communication, bus, knx, knx tp, knx pl, knx rf, knx ip, eib, ehs, batibus, ethernet, ets](#)
- [lamaPLC Communication: LoRa, LoRaWAN and LoRa Mesh](#) 2026/03/05 15:43 [communication, bus, lora, lorawan, loramesh, mesh, ism, the things network, ttn, aloha, beaconing, csma, csma-ca, mac, adaptive data rate, adr, spreading factor, sf, transmission power, eu863, eu863-870, eu433, us902-928, au915-928, as923, in865-867, cn433, cn470, cn779, cn920, semtech, sx1261, sx1262, sx1276, sx1272, sx1278, encoding rate, er, time on air, toa, iot, netid, listen before talk, lbt](#)
- [lamaPLC communication: Matter](#) 2024/11/15 20:21 [communication, iot, matter, ethernet, tcp, udp, ipv6, thread, ble, cellular, wifi, pki, ip](#)
- [lamaPLC Communication: Modbus](#) 2025/11/19 21:42 [modbus, communication, bus, modicon, standard, rtu, tcp, multimaster, coil, register](#)
- [lamaPLC Communication: MQTT](#) 2024/11/15 20:28 [communication, mqtt, iot, tcp, udp, bluetooth, tcp ip, quic, mqtt-sn, oasis, message broker, mosquitto, qos, arduino, iso iec 20922](#)

- [lamaPLC Communication: NFC](#) 2025/05/31 22:16 [communication, nfc, rfid, bluetooth, ble, manchester, ask, iso iec 18092](#)
- [lamaPLC Communication: NRF24](#) 2024/11/16 01:26 [bus, communication, nrf24, ism, ism band, gfsk, rpd, arduino](#)
- [lamaPLC Communication: OPC](#) 2024/11/15 20:33 [communication, opc, scada, ole, net, xml, tcp, hmi, server, opc ua, opc ua client, mqtt, json, dcom, simatic, erp](#)
- [lamaPLC Communication: PowerLink](#) 2024/11/15 21:15 [communication, bus, ethernet, tcp, udp, http, powerlink, fast ethernet, opensafety](#)
- [lamaPLC Communication: Profibus](#) 2024/11/16 19:09 [profibus, profibus pa, profibus dp, communication, fieldbus, bus, iec 61158, iec 61784-1, profinet, rs-485](#)
- [lamaPLC Communication: RFID](#) 2025/05/31 21:52 [communication, rfid, radio, rf, aidc, prat, arpt, arat, bap, uhf, nfc, em4100, t5557, tag, manchester, fsk, psk, biphas, nrz](#)
- [lamaPLC Communication: RS-232](#) 2024/11/15 21:51 [bus, communication, rs-232, rs, basic](#)
- [lamaPLC Communication: RS-422](#) 2024/11/15 21:50 [bus, communication, rs-422, rs, basic](#)
- [lamaPLC Communication: RS-485](#) 2024/11/15 21:52 [bus, communication, rs-485, rs, basic, profibus](#)
- [lamaPLC Communication: SCADA](#) 2024/11/17 00:33 [communication, scada, industry, industrial, hmi](#)
- [lamaPLC Communication: Sinec H1](#) 2024/11/16 20:44 [communication, bus, fieldbus, sinec-h1, s5, s7, simatic, siemens, industrial ethernet, ie, iec 8073](#)
- [lamaPLC Communication: SPI](#) 2024/11/15 21:58 [bus, communication, spi, basic, arduino, ssi, sdi, miso, sdo](#)
- [lamaPLC Communication: TCP / UDP Basic](#) 2025/11/20 21:49 [communication, bus, tcp, udp, tcp ip, darpa, ietf, smtp, http, https, ftp, ftps, ssh, pop3, imap, mysql, cpanel, whm, ssl, webmail, mqtt, ethernet, ip](#)
- [lamaPLC communication: Thread](#) 2024/11/15 22:07 [bus, communication, matter, thread, matter over thread, zigbee, aes, ipv6, iot, 6lowpan, ethernet, wifi](#)
- [lamaPLC Communication: UART / USART basic](#) 2025/02/11 20:21 [bus, communication, uart, rs-232, rs-422, rs-485](#)
- [lamaPLC Communication: USB](#) 2025/11/20 23:07 [usb, usb otg, otg, msc, ums, mtp, dfu, uac, adc, communication, bus, basic](#)
- [lamaPLC Communication: Wi-Fi](#) 2024/11/16 18:46 [communication, iot, internet, wi-fi, wifi, ieee 802.11](#)
- [lamaPLC Communication: Wiegand](#) 2024/11/16 23:39 [wiegand, communication, interface, cr80, iec 7810, h10301, hid, wiegand 26, wiegand 32, wiegand 34, wiegand 35, wiegand 37, wiegand 38, wiegand 42](#)
- [lamaPLC Communication: WS2812](#) 2024/11/15 23:36 [bus, communication, ws2812, ws2812b, ws 2812, ws 2812 b, 5050smd, 4020, 2020, 3535, 5050, nzc, rgb chip, led, arduino, rgb](#)
- [lamaPLC Communication: Z-Wave](#) 2024/11/17 21:25 [communication, ethernet, bus, ip, z-wave, ism](#)

• lamaPLC Communication: Zigbee	2024/11/17 21:43	communication, ethernet, bus, ip, zigbee, wpan, bluetooth, wi-fi, ism, ieee 802.15.4, zdo, zigbee pro, zc, zr, zed, smart energy, homegrid, homeplug, powerline, ipso, sunspec, 6lowpan, ipv6, rf4ce
• LamaPLC: AHT10 Modul	2026/03/21 19:20	communication, i2c, temperature, humidity, sensor, aht, aht 10, modul
• lamaPLC: AI-Thinker LoRA products	2026/03/05 15:40	ai-thinker, lora manufacturer, communication, lora, modul, ra-01, ra-02, spi, arduino
• LamaPLC: APDS - Avago ALS and proximity detection sensors with I ² C communication	2026/02/14 22:24	avago, apds-9900, apds-9930, apds-9960, als, proximity, detection, gesture recognition, gesture, i2c, communication, sensor, arduino, code
• lamaPLC: AS5600 Magnetic Induction Angle Measurement Sensor Module	2026/03/28 22:07	communication, i2c, as5600, as-5600, magnetic, induction, angle, sensor
• LamaPLC: BMP/BME Bosch Temperature/Humidity/Pressure sensors with I ² C communication	2026/02/15 20:40	bme280, bme680, bmp180, bmp280, hw-611, hw611, bosch, temperature, humidity, pressure, sensor, arduino, i2c, communication, cjmcu
• lamaPLC: CJMCU-164; SN74HC164D 8-bit Shift Register Module	2026/02/14 22:48	cjmcu-164, sn74hc164d, 8-bit shift register, communication, 7-segment, cjmcu, arduino
• LamaPLC: CJMCU-219/INA-219 breakout board/IC with I ² C communication	2026/02/14 23:37	cjmcu-219, ina-219, ina219, breakout board, i2c, communication, sensor, voltage, current, arduino, code, cjmcu
• LamaPLC: CJMCU-3216 / AP-3216 integrated digital ambient light and proximity sensor module/IC with I ² C communication	2026/02/14 22:40	cjmcu-3216, cjmcu, ap-3216, ap3216, ambient light, proximity, sensor, arduino, code, i2c, communication
• LamaPLC: CJMCU-3901/PMW-3901 compact optical flow sensor module/IC by PixArt with SPI communication	2026/02/14 22:39	cjmcu-3901, cjmcu, pmw3901, pmw-3901, optical flow, sensor, pixart, spi, communication, arduino, code, pmw3901mb-txqt
• LamaPLC: CJMCU-6701: Biosensor for measuring Galvanic Skin Response (GSR) with SPI communication	2026/02/14 23:39	cjmcu, cjmcu-6701, acs758, acs-758, galvanic skin response, gsr, electrodermal activity, eda, spi, communication, arduino, code, sensor, healthcare
• LamaPLC: DPS Infineon Temperature/Pressure sensors with I ² C communication	2026/02/14 18:11	dps310, infineon, temperature, pressure, sensor, arduino, i2c, communication, code
• lamaPLC: DS18B20 1-Wire Digital Thermometer	2026/02/15 20:44	ds18b20, sensor, 1-wire, communication, arduino, thermometer, parasitic mode
• lamaPLC: Ebyte LoRA products	2026/03/05 15:20	ebyte, lora manufacturer, communication, lora, modul
• lamaPLC: Energy, power, current, and voltage	2025/05/31 21:32	i2c, i c, communication, arduino, energy, power, current, sensor, ina226

<ul style="list-style-type: none"> • LamaPLC: ENS ScioSense Multi-gas sensors with I²C communication 	<p>2026/02/14 19:29</p>	<p>ens160, sciosense, gas-quality, i2c, communication, sensor, arduino, code, eco2, tvoc, aqi, indoor air quality, iaq, co2, voc</p>
<ul style="list-style-type: none"> • lamaPLC: ESP32 / ESP8266 	<p>2025/11/21 23:07</p>	<p>esp8266, esp32, esp32-c2, esp32-c3, esp32-c5, esp32-c6, esp32-c61, esp32-h2, esp32-s2, esp32-s3, esp32-p4, espressif systems, communication, ethernet, ip, wi-fi, thread, zigbee, matter, homekit, bluetooth, mqtt, adc, spi, uart, i2c, i2s, rmt, pwm, usb, usb otg, twai</p>
<ul style="list-style-type: none"> • LamaPLC: Gas sensors 	<p>2023/07/01 15:29</p>	<p>gas, sensor, i2c, onewire, communication, mq-3, mq-4, mq-5, mq-6, mq-7, mq-8, mq-9, mq-135, gm-102b, gm-302b, gm-502b, gm-702b, alcohol, ch4, natural gas, smoke, lng, co, co2, lpg, h2, iso-butane, nox, nh3, benzene, town gas, formaldehyde, propane, humidity, temperature, voc, grv gas sens v2</p>
<ul style="list-style-type: none"> • LamaPLC: GY-9250 MPU-9250/6500 9-axis Attitude Sensor Board 	<p>2026/02/14 22:45</p>	<p>ak8963, gy-9250, mpu-9250, 9-axis, motion detection, magnetometer, communication, i c, i2c, spi</p>
<ul style="list-style-type: none"> • LamaPLC: HDC Texas Instruments Temperature/humidity sensors with I²C communication 	<p>2026/02/14 22:09</p>	<p>sht21, htu21, si7021, gy-21, gy-213v, hdc1080, gy-213v-hdc1080, cjmcu, cjmcu-1080, texas instruments, temperature, humidity, sensor, i2c, communication, arduino, code</p>
<ul style="list-style-type: none"> • LamaPLC: HTU TE Connectivity temperature/humidity sensors with I²C communication 	<p>2026/02/14 21:54</p>	<p>htu, htu31d, htu21d, htu20d, sht20, htu20, sht21, htu21, si7021, gy-21, gy-213v, hdc1080, si702, gy-20, sht31, htu31, si7031, gy-31, te connectivity, temperature, humidity, i2c, communication, sensor, arduino, code</p>
<ul style="list-style-type: none"> • LamaPLC: HX711 24-bit analog-to-digital converter (ADC) 	<p>2026/02/15 23:59</p>	<p>hx711, hx-711, analog-to-digital, adc, converter, load cell, wheatstone bridge, weight, sensor, communication, arduino, code</p>
<ul style="list-style-type: none"> • lamaPLC: INA modules with Arduino libraries 	<p>2026/03/28 18:02</p>	<p>i2c, i c, communication, arduino, energy, power, current, monitor, sensor, ina219, gy-219, ina226, gy-216, ina228, gy-228, ina237, ina238, ina260, ina3221, ina</p>
<ul style="list-style-type: none"> • lamaPLC: INA226 - current/voltage/power monitor with I²C communication 	<p>2026/02/14 23:58</p>	<p>i2c, i c, communication, arduino, energy, power, current, monitor, sensor, ina226, ina219, ina</p>
<ul style="list-style-type: none"> • lamaPlc: Industrial Ethernet (IE) Basic 	<p>2024/11/15 20:17</p>	<p>communication, bus, ethernet, industrial ethernet, ie, ethercat, ethernet ip, profinet, powerlink, sercos, iii, cc-link, modbus tcp, ieee, rstp, stp</p>
<ul style="list-style-type: none"> • lamaPLC: LCD 1602/2004 with I²C communication 	<p>2026/02/14 17:27</p>	<p>communication, i2c, display, lcd, 1602, 2004, hd44780, pcf8574, pcf8574t, pcf8574at, arduino</p>
<ul style="list-style-type: none"> • lamaPLC: LTC3588 - Nanopower energy harvesting power supply IC 	<p>2026/02/14 23:35</p>	<p>communication, arduino, sensor, energy harvesting, energy, ambient power</p>

• LamaPLC: MAX30100/MAX30102 Heart Rate Click Sensor Module	2026/02/14 23:38	max30102 , max30100 , heart rate click , sensor , communication , i2c , arduino , code
• lamaPLC: MCP23017 / MCP23S17 16-Bit I/O Expander with Serial Interface I²C / SPI	2026/02/14 22:52	communication , i2c , mcp23017 , mcp23s17 , spi , i o expander , serial , cjmcu-2317 , cjmcu
• LamaPLC: MH-Z19 series of NDIR CO₂ sensors	2026/02/15 20:20	mh-z19 , mh-z19d , mh-z19c , mh-z19b , mh-z19e , ndir , co₂ , sensor , winsen , uart , pwm , communication , non-dispersive infrared , infrared , ir , temperature , arduino , code , tasmota
• LamaPLC: Pixart PAJ7620U2 Gesture recognition sensors/module with I²C communication	2026/02/14 22:23	paj7620u2 , gy-paj7620 , pixart , gesture recognition , i2c , communication , sensor , arduino , code
• lamaPlc: Profinet	2024/11/15 20:39	communication , bus , profinet , mrp , rstp , gsdml , xml , profibus , ethernet , tcp
• lamaPLC: PTA8C04 4-channel PT100 Modbus Modul	2026/02/14 17:42	pta8c04 , sensor , modbus , rtu , rs-485 , communication , platine , um72
• LamaPLC: S7-1500 and Metrawatt EM2389 Modbus TCP communication	2024/11/18 17:55	simatic , s7 , modbus , communication , metrawatt , em2389 , source code , scl , mid
• LamaPLC: S7-1500 and Sicam Q200 Modbus TCP communication	2023/06/24 22:42	simatic , s7 , modbus , tia portal , communication , sicam , q200 , sicam q200 , source code , scl , class a
• lamaPLC: S7-1500 and UICPAL Temp.humi.sensor Modbus TCP communication	2023/06/19 21:24	bus , communication , s7 , simatic , s7 1500 , s7 1200 , scl , uicpal , temperature , humidity , modbus , example , download , tia portal
• LamaPLC: SGP Sensirion Gas-sensors with I²C communication	2026/02/15 20:27	sgp30 , sgp40 , sgp41 , sensirion , gas-sensor , i2c , communication , sensor , arduino , code , eco₂ , voc , tvoc , indoor air quality , iaq , nox , hydrogen
• LamaPLC: SHT Sensirion Temperature/humidity sensor with I²C communication	2026/02/15 20:29	sht20 , sht21 , sht25 , sht30 , sht31 , sht35 , sht40 , gy21 , temperature , humidity , i2c , communication , sensor , arduino , code
• lamaPLC: TCA9548A (HW617); Low-Voltage 8-Channel I²C Switch Module	2026/02/14 22:51	tca9548a , hw617 , i2c , switch , communication , expansion board , arduino
• LamaPLC: Texas Instruments ADCs: Delta-sigma multi-channel Analog Converters with SPI communication	2026/02/15 22:34	ads111x , ads12xx , delta-sigma , converter , texas instruments , adc , spi , communication , sensor , arduino , code , ads1110 , ads1112 , ads1113 , ads1114 , ads1115 , ads1118 , ads1119 , ads1220 , ads1232 , ads1234 , ads1256 , ads1261 , ads1263 , multi channel
• LamaPLC: TOFnnnC STMicroelectronics Time-of-Flight (ToF) sensors with I²C communication	2026/02/14 22:22	tof050c , vl6180 , tof200c , vl53l0x , tof400c , vl53l1x , stmicroelectronics , time-of-flight , tof , i2c , communication , sensor , arduino , code
• lamaPLC: TWAI basics	2025/11/20 21:41	bus , communication , as-i , basic , can , twai , espressif , esp32

- [LamaPLC: UICPAL Temp.humi.sensor](#) 2023/06/24 22:43 [simatic, s7, modbus, communication, temperature, humidity, sensor](#)
- [LamaPLC: VL53Lnn STMicroelectronics time-of-flight \(ToF\) laser-ranging sensors with I²C communication](#) 2026/02/14 22:21 [vl53l0x, vl53l1x, vl53l0 1xv2, gy-530, time-of-flight, tof, laser-ranging, i2c, communication, sensor, arduino, code](#)
- [LamaPLC: VL6180X STMicroelectronics Time-of-Flight \(ToF\) sensor with I²C communication](#) 2026/02/14 22:22 [vl6180x, stmicroelectronics, time-of-flight, tof, i2c, communication, sensor, arduino, code](#)
- [lamaPLC: Waveshare LoRA products](#) 2026/03/05 15:20 [waveshare, lora manufacturer, communication, lora, modul, usb-to-lora-xf02, core 1262, 1262, spi, arduino, rp2040-lora, rp2040](#)
- [LamaPLC: XTM35SC Modbus communication](#) 2024/08/18 14:52 [xtm35sc, modbus, modbus rtu, measuring, power, communication, current meter, voltmeter](#)
- [lamaPLC: YR-3180 - Weight sensor module with UART or Modbus communication](#) 2026/02/14 23:00 [communication, modbus, rtu, sensor, weight, yr-3180, hx710b, arduino, ttl, rs-485](#)
- [Magnetic angle sensors](#) 2026/03/05 20:19 [magnetic angle sensor, magnetic flux, sensor, spi, i2c, pwm, communication, modul, as5047p, as5600, mt6701, mt6816, mt6835, tle5012b, amr, gmr, tmr, anisotropic magnetoresistive](#)
- [NT18B07: 7 Kanal RS485 Temperatur Sensor with Modbus RTU](#) 2026/02/14 17:49 [nt18b07, sensor, modbus, rtu, rs-485, communication, platine](#)
- [Simatic Modbus S7 error- and statuscodes](#) 2025/11/13 22:59 [communication, bus, modbus, error, modbus error code, 7000, 7001, 7002, 7003, 7004, 7005, 7006, 80a1, simatic, s7, siemens, tia](#)
- [Waveshare](#) 2023/06/17 19:43 [waveshare, converter, modbus, modbus rtu, modbus tcp, communication](#)
- [XTM35SC current / voltage meter](#) 2023/06/01 11:45 [xtm35sc, modbus, modbus rtu, measuring, power, communication, current meter, voltmeter](#)

[BMP280, AHT20, temperature, humidity, pressure, sensor, arduino, oled, SH1106, arduino code](#)

This page has been accessed for: Today: 2, Until now: 2

From: <https://www.lamaplc.com/> - **lamaPLC**

Permanent link: <https://www.lamaplc.com/doku.php?id=sensor:digipot&rev=1775921096>

Last update: **2026/04/11 15:24**

