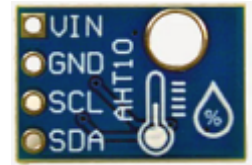


# lamaPLC project: Digitales Potentiometer Board Moduls



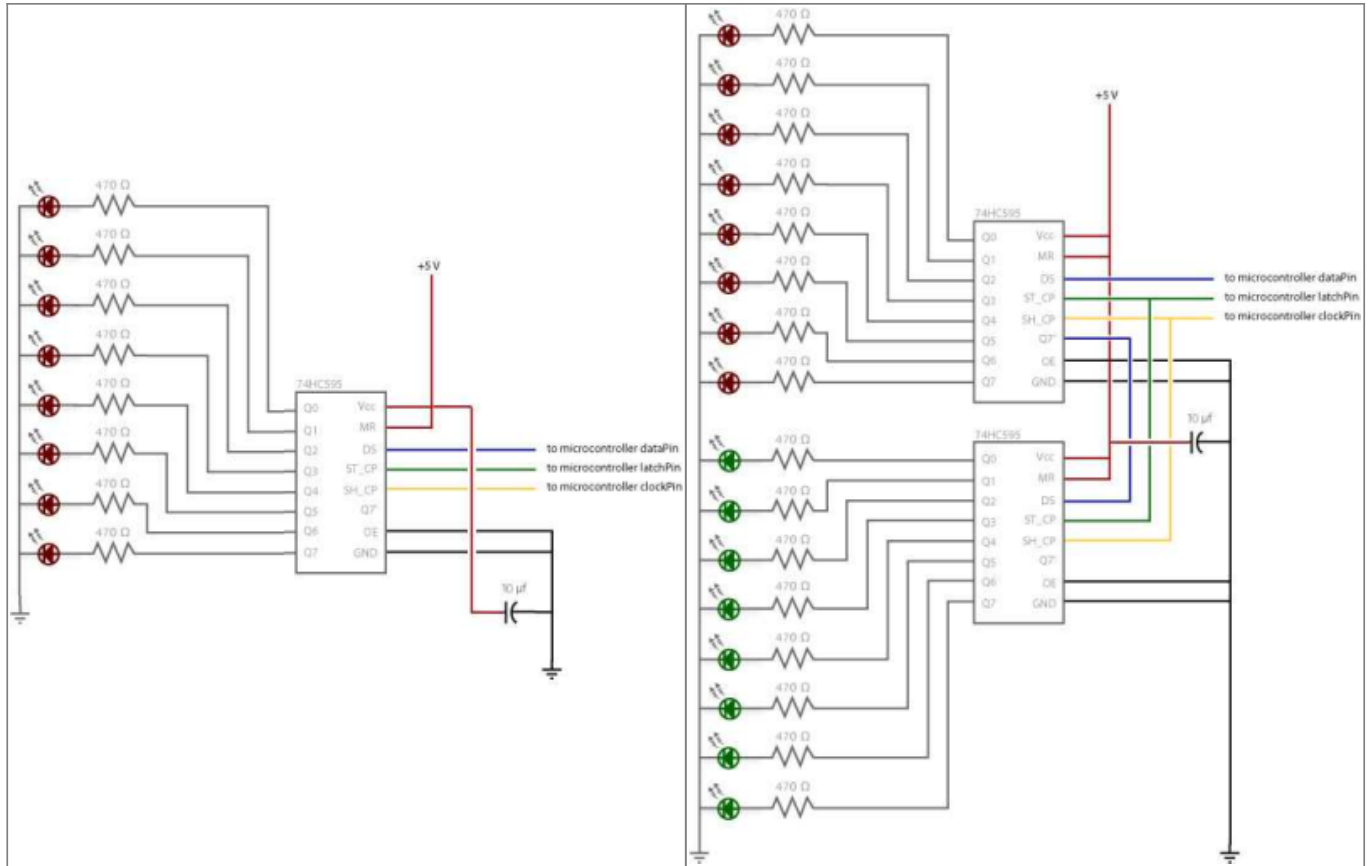
A digital potentiometer (or “digipot”), such as the Renesas X9C series, is a semiconductor device that replicates the function of a mechanical potentiometer—varying resistance—but replaces the manual knob with digital control signals.

## Renesas X9C series

The X9C102, X9C103, X9C104, and X9C503 are digitally controlled (XDCP) potentiometers. The device consists of a resistor array, wiper switches, a control section, and nonvolatile memory. The wiper position is controlled by a three-wire interface.

The potentiometer is implemented using a resistor array composed of 99 resistive elements and a wiper-switching network. Between each element and at either end are tap points accessible to the wiper terminal. The position of the wiper element is controlled by the CS, U/D, and INC inputs. The wiper position can be stored in non-volatile memory and recalled upon subsequent power-up.

The device can be used as a three-terminal potentiometer or a two-terminal variable resistor in a wide variety of applications, from control to signal processing to parameter adjustment.



## Wiring

## Communication topics on lamaPLC

Page	Date	Tags
<ul style="list-style-type: none"> <li>• <a href="#">ISM Band</a></li> </ul>	2025/11/10 18:53	ism, ism band, rfid, nfc, dash7, hc-12, arduino, zigbee, z-wave, bluetooth, wi-fi, thread, miwi, nrf24, starlink, wiegand, rf, communication, bus, radio, ku band, ka band, k band, x band
<ul style="list-style-type: none"> <li>• <a href="#">lamaPLC Communication: 1-Wire</a></li> </ul>	2025/05/31 21:56	1-wire, communication, bus, microlan, i2c, uart, usart, ds18b20
<ul style="list-style-type: none"> <li>• <a href="#">lamaPLC Communication: AS-i</a></li> </ul>	2025/05/31 22:51	bus, communication, as-i, basic, industrial ethernet, devicenet, interbus, manchester-ii, apm
<ul style="list-style-type: none"> <li>• <a href="#">lamaPLC Communication: Bluetooth basic</a></li> </ul>	2025/11/19 21:52	communication, bus, bluetooth, ism, ieee, 802.15.1, ble, lmp, l2cap, rfcomm, iot, arduino, hc-05, hc-06
<ul style="list-style-type: none"> <li>• <a href="#">lamaPLC Communication: CAN</a></li> </ul>	2025/11/20 20:43	communication, bus, can, canopen, most, automotive ethernet, sent sae-j2716, flexray, lin bus

• <a href="#">lamaPLC Communication: ControlNet</a>	2025/05/31 22:58	<a href="#">bus, communication, devicenet, cip, can, ethernet ip, ethernet, controlnet, mac, peer-to-peer, allen-bradley, rockwell automation, fieldbus, rg-6, coaxial cable communication, rs-232, dali, light</a>
• <a href="#">lamaPLC Communication: DALI</a>	2024/11/16 20:08	<a href="#">technic, diia, selv, manchester, asynchronous, half-duplex, serial, iec 62386, d4i, dali-2, dt6, dt8</a>
• <a href="#">lamaPLC Communication: DASH7</a>	2024/11/16 20:21	<a href="#">bus, communication, dash7, ism, srd, aes 128, d7a, blast, iot, rfid</a>
• <a href="#">lamaPLC Communication: DeviceNet</a>	2024/11/16 19:43	<a href="#">bus, communication, devicenet, 62026-3, cip, can, ethernet ip, ethernet, controlnet, mac, peer-to-peer, canopen, allen-bradley, rockwell automation, bosch</a>
• <a href="#">lamaPLC Communication: DMX512</a>	2024/11/16 00:16	<a href="#">bus, communication, dmx512, dmx512-a, rs-485, xlr3, xlr5</a>
• <a href="#">lamaPLC Communication: EtherNet/IP</a>	2024/11/17 00:26	<a href="#">communication, ethernet, bus, ip, cip, ethernet ip, udp, industrial ethernet, ie, tcp, unicast, devicenet, controlnet, ieee 802.3</a>
• <a href="#">lamaPLC Communication: GPS</a>	2024/11/15 20:15	<a href="#">communication, satellite, navigation, gps, oxc, cdma, glonass, beidou, galileo, qzss, uart, arduino</a>
• <a href="#">lamaPLC Communication: IEC 61850 basic</a>	2025/09/23 21:03	<a href="#">1-wire, communication, bus, xml, iec 61850, iec, ethernet, scl, goose, ied</a>
• <a href="#">lamaPLC Communication: InterBus</a>	2024/11/16 00:46	<a href="#">bus, communication, interbus, phoenix contact, en 50254, iec 61158</a>
• <a href="#">lamaPLC Communication: IoT</a>	2025/05/31 22:50	<a href="#">communication, iot, internet, iomt, 6lowpan, ipv4, ipv6, bluetooth, ble, li-fi, nfc, rfid, wi-fi, zigbee, z-wave, lte-advanced, 5g, lora, dash7, lpwan, lorawan, sigfox, nb-iot, weightless, rpma, mioty, vsat, ethernet, thread, matter</a>
• <a href="#">lamaPLC Communication: I<sup>2</sup>C</a>	2025/09/23 19:25	<a href="#">i2c, i c, smbus, philips, bus, communication, arduino</a>
• <a href="#">lamaPLC Communication: KNX / EIB</a>	2024/11/15 20:18	<a href="#">communication, bus, knx, knx tp, knx pl, knx rf, knx ip, eib, ehs, batibus, ethernet, ets</a>
• <a href="#">lamaPLC Communication: LoRa, LoRaWAN and LoRa Mesh</a>	2026/03/05 15:43	<a href="#">communication, bus, lora, lorawan, loramesh, mesh, ism, the things network, ttn, aloha, beaconing, csma, csma-ca, mac, adaptive data rate, adr, spreading factor, sf, transmission power, eu863, eu863-870, eu433, us902-928, au915-928, as923, in865-867, cn433, cn470, cn779, cn920, semtech, sx1261, sx1262, sx1276, sx1272, sx1278, encoding rate, er, time on air, toa, iot, netid, listen before talk, lbt</a>
• <a href="#">lamaPLC communication: Matter</a>	2024/11/15 20:21	<a href="#">communication, iot, matter, ethernet, tcp, udp, ipv6, thread, ble, cellular, wifi, pki, ip</a>

- [lamaPLC Communication: Modbus](#) 2025/11/19 21:42 [modbus, communication, bus, modicon, standard, rtu, tcp, multimaster, coil, register](#)
- [lamaPLC Communication: MQTT](#) 2024/11/15 20:28 [communication, mqtt, iot, tcp, udp, bluetooth, tcp ip, quic, mqtt-sn, oasis, message broker, mosquitto, qos, arduino, iso iec 20922](#)
- [lamaPLC Communication: NFC](#) 2025/05/31 22:16 [communication, nfc, rfid, bluetooth, ble, manchester, ask, iso iec 18092](#)
- [lamaPLC Communication: NRF24](#) 2024/11/16 01:26 [bus, communication, nrf24, ism, ism band, gfsk, rpd, arduino](#)
- [lamaPLC Communication: OPC](#) 2024/11/15 20:33 [communication, opc, scada, ole, net, xml, tcp, hmi, server, opc ua, opc ua client, mqtt, json, dcom, simatic, erp](#)
- [lamaPLC Communication: PowerLink](#) 2024/11/15 21:15 [communication, bus, ethernet, tcp, udp, http, powerlink, fast ethernet, opensafety](#)
- [lamaPLC Communication: Profibus](#) 2024/11/16 19:09 [profibus, profibus pa, profibus dp, communication, fieldbus, bus, iec 61158, iec 61784-1, profinet, rs-485](#)
- [lamaPLC Communication: RFID](#) 2025/05/31 21:52 [communication, rfid, radio, rf, aidc, prat, arpt, arat, bap, uhf, nfc, em4100, t5557, tag, manchester, fsk, psk, biphas, nrz](#)
- [lamaPLC Communication: RS-232](#) 2024/11/15 21:51 [bus, communication, rs-232, rs, basic](#)
- [lamaPLC Communication: RS-422](#) 2024/11/15 21:50 [bus, communication, rs-422, rs, basic](#)
- [lamaPLC Communication: RS-485](#) 2024/11/15 21:52 [bus, communication, rs-485, rs, basic, profibus](#)
- [lamaPLC Communication: SCADA](#) 2024/11/17 00:33 [communication, scada, industry, industrial, hmi](#)
- [lamaPLC Communication: Sinec H1](#) 2024/11/16 20:44 [communication, bus, fieldbus, sinec-h1, s5, s7, simatic, siemens, industrial ethernet, ie, iec 8073](#)
- [lamaPLC Communication: SPI](#) 2024/11/15 21:58 [bus, communication, spi, basic, arduino, ssi, sdi, miso, sdo](#)
- [lamaPLC Communication: TCP / UDP Basic](#) 2025/11/20 21:49 [communication, bus, tcp, udp, tcp ip, darpa, ietf, smtp, http, https, ftp, ftps, ssh, pop3, imap, mysql, cpanel, whm, ssl, webmail, mqtt, ethernet, ip](#)
- [lamaPLC communication: Thread](#) 2024/11/15 22:07 [bus, communication, matter, thread, matter over thread, zigbee, aes, ipv6, iot, 6lowpan, ethernet, wifi](#)
- [lamaPLC Communication: UART / USART basic](#) 2025/02/11 20:21 [bus, communication, uart, rs-232, rs-422, rs-485](#)
- [lamaPLC Communication: USB](#) 2025/11/20 23:07 [usb, usb otg, otg, msc, ums, mtp, dfu, uac, adc, communication, bus, basic](#)
- [lamaPLC Communication: Wi-Fi](#) 2024/11/16 18:46 [communication, iot, internet, wi-fi, wifi, ieee 802.11](#)

• <a href="#">lamaPLC Communication: Wiegand</a>	2024/11/16 23:39	<a href="#">wiegand, communication, interface, cr80, iec 7810, h10301, hid, wiegand 26, wiegand 32, wiegand 34, wiegand 35, wiegand 37, wiegand 38, wiegand 42</a>
• <a href="#">lamaPLC Communication: WS2812</a>	2024/11/15 23:36	<a href="#">bus, communication, ws2812, ws2812b, ws 2812, ws 2812 b, 5050smd, 4020, 2020, 3535, 5050, nzs, rgb chip, led, arduino, rgb</a>
• <a href="#">lamaPLC Communication: Z-Wave</a>	2024/11/17 21:25	<a href="#">communication, ethernet, bus, ip, z-wave, ism</a>
• <a href="#">lamaPLC Communication: Zigbee</a>	2024/11/17 21:43	<a href="#">communication, ethernet, bus, ip, zigbee, wpan, bluetooth, wi-fi, ism, ieee 802.15.4, zdo, zigbee pro, zc, zr, zed, smart energy, homegrid, homeplug, powerline, ipso, sunspec, 6lowpan, ipv6, rf4ce</a>
• <a href="#">LamaPLC: AHT10 Modul</a>	2026/03/21 19:20	<a href="#">communication, i2c, temperature, humidity, sensor, aht, aht 10, modul</a>
• <a href="#">lamaPLC: AI-Thinker LoRA products</a>	2026/03/05 15:40	<a href="#">ai-thinker, lora manufacturer, communication, lora, modul, ra-01, ra-02, spi, arduino</a>
• <a href="#">LamaPLC: APDS - Avago ALS and proximity detection sensors with I<sup>2</sup>C communication</a>	2026/02/14 22:24	<a href="#">avago, apds-9900, apds-9930, apds-9960, als, proximity, detection, gesture recognition, gesture, i2c, communication, sensor, arduino, code</a>
• <a href="#">lamaPLC: AS5600 Magnetic Induction Angle Measurement Sensor Module</a>	2026/03/28 22:07	<a href="#">communication, i2c, as5600, as-5600, magnetic, induction, angle, sensor</a>
• <a href="#">LamaPLC: BMP/BME Bosch Temperature/Humidity/Pressure sensors with I<sup>2</sup>C communication</a>	2026/02/15 20:40	<a href="#">bme280, bme680, bmp180, bmp280, hw-611, hw611, bosch, temperature, humidity, pressure, sensor, arduino, i2c, communication, cjmcu</a>
• <a href="#">lamaPLC: CJMCU-164; SN74HC164D 8-bit Shift Register Module</a>	2026/02/14 22:48	<a href="#">cjmcu-164, sn74hc164d, 8-bit shift register, communication, 7-segment, cjmcu, arduino</a>
• <a href="#">LamaPLC: CJMCU-219/INA-219 breakout board/IC with I<sup>2</sup>C communication</a>	2026/02/14 23:37	<a href="#">cjmcu-219, ina-219, ina219, breakout board, i2c, communication, sensor, voltage, current, arduino, code, cjmcu</a>
• <a href="#">LamaPLC: CJMCU-3216 / AP-3216 integrated digital ambient light and proximity sensor module/IC with I<sup>2</sup>C communication</a>	2026/02/14 22:40	<a href="#">cjmcu-3216, cjmcu, ap-3216, ap3216, ambient light, proximity, sensor, arduino, code, i2c, communication</a>
• <a href="#">LamaPLC: CJMCU-3901/PMW-3901 compact optical flow sensor module/IC by PixArt with SPI communication</a>	2026/02/14 22:39	<a href="#">cjmcu-3901, cjmcu, pmw3901, pmw-3901, optical flow, sensor, pixart, spi, communication, arduino, code, pmw3901mb-txqt</a>
• <a href="#">LamaPLC: CJMCU-6701: Biosensor for measuring Galvanic Skin Response (GSR) with SPI communication</a>	2026/02/14 23:39	<a href="#">cjmcu, cjmcu-6701, acs758, acs-758, galvanic skin response, gsr, electrodermal activity, eda, spi, communication, arduino, code, sensor, healthcare</a>

- [LamaPLC: DPS Infineon Temperature/Pressure sensors with I2C communication](#) 2026/02/14 18:11 [dps310, infineon, temperature, pressure, sensor, arduino, i2c, communication, code](#)
- [lamaPLC: DS18B20 1-Wire Digital Thermometer](#) 2026/02/15 20:44 [ds18b20, sensor, 1-wire, communication, arduino, thermometer, parasitic mode](#)
- [lamaPLC: Ebyte LoRA products](#) 2026/03/05 15:20 [ebyte, lora manufacturer, communication, lora, modul](#)
- [lamaPLC: Energy, power, current, and voltage](#) 2025/05/31 21:32 [i2c, i c, communication, arduino, energy, power, current, sensor, ina226](#)
- [LamaPLC: ENS ScioSense Multi-gas sensors with I<sup>2</sup>C communication](#) 2026/02/14 19:29 [ens160, sciosense, gas-quality, i2c, communication, sensor, arduino, code, eco2, tvoc, aqi, indoor air quality, iaq, co2, voc](#)
- [lamaPLC: ESP32 / ESP8266](#) 2025/11/21 23:07 [esp8266, esp32, esp32-c2, esp32-c3, esp32-c5, esp32-c6, esp32-c61, esp32-h2, esp32-s2, esp32-s3, esp32-p4, espressif systems, communication, ethernet, ip, wi-fi, thread, zigbee, matter, homekit, bluetooth, mqtt, adc, spi, uart, i2c, i2s, rmt, pwm, usb, usb otg, twai](#)
- [LamaPLC: Gas sensors](#) 2023/07/01 15:29 [gas, sensor, i2c, onewire, communication, mq-3, mq-4, mq-5, mq-6, mq-7, mq-8, mq-9, mq-135, gm-102b, gm-302b, gm-502b, gm-702b, alcohol, ch4, natural gas, smoke, lng, co, co2, lpg, h2, iso-butane, nox, nh3, benzene, town gas, formaldehyde, propane, humidity, temperature, voc, grv gas sens v2](#)
- [LamaPLC: GY-9250 MPU-9250/6500 9-axis Attitude Sensor Board](#) 2026/02/14 22:45 [ak8963, gy-9250, mpu-9250, 9-axis, motion detection, magnetometer, communication, i c, i2c, spi](#)
- [LamaPLC: HDC Texas Instruments Temperature/humidity sensors with I<sup>2</sup>C communication](#) 2026/02/14 22:09 [sht21, htu21, si7021, gy-21, gy-213v, hdc1080, gy-213v-hdc1080, cjmcu, cjmcu-1080, texas instruments, temperature, humidity, sensor, i2c, communication, arduino, code](#)
- [LamaPLC: HTU TE Connectivity temperature/humidity sensors with I<sup>2</sup>C communication](#) 2026/02/14 21:54 [htu, htu31d, htu21d, htu20d, sht20, htu20, sht21, htu21, si7021, gy-21, gy-213v, hdc1080, si702, gy-20, sht31, htu31, si7031, gy-31, te connectivity, temperature, humidity, i2c, communication, sensor, arduino, code](#)
- [LamaPLC: HX711 24-bit analog-to-digital converter \(ADC\)](#) 2026/02/15 23:59 [hx711, hx-711, analog-to-digital, adc, converter, load cell, wheatstone bridge, weight, sensor, communication, arduino, code](#)
- [lamaPLC: INA modules with Arduino libraries](#) 2026/03/28 18:02 [i2c, i c, communication, arduino, energy, power, current, monitor, sensor, ina219, gy-219, ina226, gy-216, ina228, gy-228, ina237, ina238, ina260, ina3221, ina](#)
- [lamaPLC: INA226 - current/voltage/power monitor with I<sup>2</sup>C communication](#) 2026/02/14 23:58 [i2c, i c, communication, arduino, energy, power, current, monitor, sensor, ina226, ina219, ina](#)

• <a href="#">lamaPlc: Industrial Ethernet (IE) Basic</a>	2024/11/15 20:17	<a href="#">communication</a> , <a href="#">bus</a> , <a href="#">ethernet</a> , <a href="#">industrial ethernet</a> , <a href="#">ie</a> , <a href="#">ethercat</a> , <a href="#">ethernet ip</a> , <a href="#">profinet</a> , <a href="#">powerlink</a> , <a href="#">sercos</a> , <a href="#">iii</a> , <a href="#">cc-link</a> , <a href="#">modbus tcp</a> , <a href="#">ieee</a> , <a href="#">rstp</a> , <a href="#">stp</a>
• <a href="#">lamaPLC: LCD 1602/2004 with I<sup>2</sup>C communication</a>	2026/02/14 17:27	<a href="#">communication</a> , <a href="#">i2c</a> , <a href="#">display</a> , <a href="#">lcd</a> , <a href="#">1602</a> , <a href="#">2004</a> , <a href="#">hd44780</a> , <a href="#">pcf8574</a> , <a href="#">pcf8574t</a> , <a href="#">pcf8574at</a> , <a href="#">arduino</a>
• <a href="#">lamaPLC: LTC3588 - Nanopower energy harvesting power supply IC</a>	2026/02/14 23:35	<a href="#">communication</a> , <a href="#">arduino</a> , <a href="#">sensor</a> , <a href="#">energy harvesting</a> , <a href="#">energy</a> , <a href="#">ambient power</a>
• <a href="#">LamaPLC: MAX30100/MAX30102 Heart Rate Click Sensor Module</a>	2026/02/14 23:38	<a href="#">max30102</a> , <a href="#">max30100</a> , <a href="#">heart rate click</a> , <a href="#">sensor</a> , <a href="#">communication</a> , <a href="#">i2c</a> , <a href="#">arduino</a> , <a href="#">code</a>
• <a href="#">lamaPLC: MCP23017 / MCP23S17 16-Bit I/O Expander with Serial Interface I<sup>2</sup>C / SPI</a>	2026/02/14 22:52	<a href="#">communication</a> , <a href="#">i2c</a> , <a href="#">mcp23017</a> , <a href="#">mcp23s17</a> , <a href="#">spi</a> , <a href="#">i o expander</a> , <a href="#">serial</a> , <a href="#">cjmcu-2317</a> , <a href="#">cjmcu</a>
• <a href="#">LamaPLC: MH-Z19 series of NDIR CO<sub>2</sub> sensors</a>	2026/02/15 20:20	<a href="#">mh-z19</a> , <a href="#">mh-z19d</a> , <a href="#">mh-z19c</a> , <a href="#">mh-z19b</a> , <a href="#">mh-z19e</a> , <a href="#">ndir</a> , <a href="#">co2</a> , <a href="#">sensor</a> , <a href="#">winsen</a> , <a href="#">uart</a> , <a href="#">pwm</a> , <a href="#">communication</a> , <a href="#">non-dispersive infrared</a> , <a href="#">infrared</a> , <a href="#">ir</a> , <a href="#">temperature</a> , <a href="#">arduino</a> , <a href="#">code</a> , <a href="#">tasmota</a>
• <a href="#">LamaPLC: Pixart PAJ7620U2 Gesture recognition sensors/module with I<sup>2</sup>C communication</a>	2026/02/14 22:23	<a href="#">paj7620u2</a> , <a href="#">gy-paj7620</a> , <a href="#">pixart</a> , <a href="#">gesture recognition</a> , <a href="#">i2c</a> , <a href="#">communication</a> , <a href="#">sensor</a> , <a href="#">arduino</a> , <a href="#">code</a>
• <a href="#">lamaPlc: Profinet</a>	2024/11/15 20:39	<a href="#">communication</a> , <a href="#">bus</a> , <a href="#">profinet</a> , <a href="#">mrp</a> , <a href="#">rstp</a> , <a href="#">gsdml</a> , <a href="#">xml</a> , <a href="#">profibus</a> , <a href="#">ethernet</a> , <a href="#">tcp</a>
• <a href="#">lamaPLC: PTA8C04 4-channel PT100 Modbus Modul</a>	2026/02/14 17:42	<a href="#">pta8c04</a> , <a href="#">sensor</a> , <a href="#">modbus</a> , <a href="#">rtu</a> , <a href="#">rs-485</a> , <a href="#">communication</a> , <a href="#">platine</a> , <a href="#">um72</a>
• <a href="#">LamaPLC: S7-1500 and Metrawatt EM2389 Modbus TCP communication</a>	2024/11/18 17:55	<a href="#">simatic</a> , <a href="#">s7</a> , <a href="#">modbus</a> , <a href="#">communication</a> , <a href="#">metrawatt</a> , <a href="#">em2389</a> , <a href="#">source code</a> , <a href="#">scl</a> , <a href="#">mid</a>
• <a href="#">LamaPLC: S7-1500 and Sicam Q200 Modbus TCP communication</a>	2023/06/24 22:42	<a href="#">simatic</a> , <a href="#">s7</a> , <a href="#">modbus</a> , <a href="#">tia portal</a> , <a href="#">communication</a> , <a href="#">sicam</a> , <a href="#">q200</a> , <a href="#">sicam q200</a> , <a href="#">source code</a> , <a href="#">scl</a> , <a href="#">class a</a>
• <a href="#">lamaPLC: S7-1500 and UICPAL Temp.humi.sensor Modbus TCP communication</a>	2023/06/19 21:24	<a href="#">bus</a> , <a href="#">communication</a> , <a href="#">s7</a> , <a href="#">simatic</a> , <a href="#">s7 1500</a> , <a href="#">s7 1200</a> , <a href="#">scl</a> , <a href="#">uicpal</a> , <a href="#">temperature</a> , <a href="#">humidity</a> , <a href="#">modbus</a> , <a href="#">example</a> , <a href="#">download</a> , <a href="#">tia portal</a>
• <a href="#">LamaPLC: SGP Sensirion Gas-sensors with I<sup>2</sup>C communication</a>	2026/02/15 20:27	<a href="#">sgp30</a> , <a href="#">sgp40</a> , <a href="#">sgp41</a> , <a href="#">sensirion</a> , <a href="#">gas-sensor</a> , <a href="#">i2c</a> , <a href="#">communication</a> , <a href="#">sensor</a> , <a href="#">arduino</a> , <a href="#">code</a> , <a href="#">eco2</a> , <a href="#">voc</a> , <a href="#">tvoc</a> , <a href="#">indoor air quality</a> , <a href="#">iaq</a> , <a href="#">nox</a> , <a href="#">hydrogen</a>
• <a href="#">LamaPLC: SHT Sensirion Temperature/humidity sensor with I<sup>2</sup>C communication</a>	2026/02/15 20:29	<a href="#">sht20</a> , <a href="#">sht21</a> , <a href="#">sht25</a> , <a href="#">sht30</a> , <a href="#">sht31</a> , <a href="#">sht35</a> , <a href="#">sht40</a> , <a href="#">gy21</a> , <a href="#">temperature</a> , <a href="#">humidity</a> , <a href="#">i2c</a> , <a href="#">communication</a> , <a href="#">sensor</a> , <a href="#">arduino</a> , <a href="#">code</a>
• <a href="#">lamaPLC: TCA9548A (HW617); Low-Voltage 8-Channel I<sup>2</sup>C Switch Module</a>	2026/02/14 22:51	<a href="#">tca9548a</a> , <a href="#">hw617</a> , <a href="#">i2c</a> , <a href="#">switch</a> , <a href="#">communication</a> , <a href="#">expansion board</a> , <a href="#">arduino</a>

<ul style="list-style-type: none"> <li>• <a href="#">LamaPLC: Texas Instruments ADCs: Delta-sigma multi-channel Analog Converters with SPI communication</a></li> </ul>	2026/02/15 22:34	<a href="#">ads111x</a> , <a href="#">ads12xx</a> , <a href="#">delta-sigma</a> , <a href="#">converter</a> , <a href="#">texas instruments</a> , <a href="#">adc</a> , <a href="#">spi</a> , <a href="#">communication</a> , <a href="#">sensor</a> , <a href="#">arduino</a> , <a href="#">code</a> , <a href="#">ads1110</a> , <a href="#">ads1112</a> , <a href="#">ads1113</a> , <a href="#">ads1114</a> , <a href="#">ads1115</a> , <a href="#">ads1118</a> , <a href="#">ads1119</a> , <a href="#">ads1220</a> , <a href="#">ads1232</a> , <a href="#">ads1234</a> , <a href="#">ads1256</a> , <a href="#">ads1261</a> , <a href="#">ads1263</a> , <a href="#">multi channel</a>
<ul style="list-style-type: none"> <li>• <a href="#">LamaPLC: TOFnnnC STMicroelectronics Time-of-Flight (ToF) sensors with I<sup>2</sup>C communication</a></li> </ul>	2026/02/14 22:22	<a href="#">tof050c</a> , <a href="#">vl6180</a> , <a href="#">tof200c</a> , <a href="#">vl53l0x</a> , <a href="#">tof400c</a> , <a href="#">vl53l1x</a> , <a href="#">stmicroelectronics</a> , <a href="#">time-of-flight</a> , <a href="#">tof</a> , <a href="#">i2c</a> , <a href="#">communication</a> , <a href="#">sensor</a> , <a href="#">arduino</a> , <a href="#">code</a>
<ul style="list-style-type: none"> <li>• <a href="#">lamaPLC: TWAI basics</a></li> </ul>	2025/11/20 21:41	<a href="#">bus</a> , <a href="#">communication</a> , <a href="#">as-i</a> , <a href="#">basic</a> , <a href="#">can</a> , <a href="#">twai</a> , <a href="#">espressif</a> , <a href="#">esp32</a>
<ul style="list-style-type: none"> <li>• <a href="#">LamaPLC: UICPAL Temp.humi.sensor</a></li> </ul>	2023/06/24 22:43	<a href="#">simatic</a> , <a href="#">s7</a> , <a href="#">modbus</a> , <a href="#">communication</a> , <a href="#">temperature</a> , <a href="#">humidity</a> , <a href="#">sensor</a>
<ul style="list-style-type: none"> <li>• <a href="#">LamaPLC: VL53Lnn STMicroelectronics time-of-flight (ToF) laser-ranging sensors with I<sup>2</sup>C communication</a></li> </ul>	2026/02/14 22:21	<a href="#">vl53l0x</a> , <a href="#">vl53l1x</a> , <a href="#">vl53l0 1xv2</a> , <a href="#">gy-530</a> , <a href="#">time-of-flight</a> , <a href="#">tof</a> , <a href="#">laser-ranging</a> , <a href="#">i2c</a> , <a href="#">communication</a> , <a href="#">sensor</a> , <a href="#">arduino</a> , <a href="#">code</a>
<ul style="list-style-type: none"> <li>• <a href="#">LamaPLC: VL6180X STMicroelectronics Time-of-Flight (ToF) sensor with I<sup>2</sup>C communication</a></li> </ul>	2026/02/14 22:22	<a href="#">vl6180x</a> , <a href="#">stmicroelectronics</a> , <a href="#">time-of-flight</a> , <a href="#">tof</a> , <a href="#">i2c</a> , <a href="#">communication</a> , <a href="#">sensor</a> , <a href="#">arduino</a> , <a href="#">code</a>
<ul style="list-style-type: none"> <li>• <a href="#">lamaPLC: Waveshare LoRA products</a></li> </ul>	2026/03/05 15:20	<a href="#">waveshare</a> , <a href="#">lora manufacturer</a> , <a href="#">communication</a> , <a href="#">lora</a> , <a href="#">modul</a> , <a href="#">usb-to-lora-xf02</a> , <a href="#">core 1262</a> , <a href="#">1262</a> , <a href="#">spi</a> , <a href="#">arduino</a> , <a href="#">rp2040-lora</a> , <a href="#">rp2040</a>
<ul style="list-style-type: none"> <li>• <a href="#">LamaPLC: XTM35SC Modbus communication</a></li> </ul>	2024/08/18 14:52	<a href="#">xtm35sc</a> , <a href="#">modbus</a> , <a href="#">modbus rtu</a> , <a href="#">measuring</a> , <a href="#">power</a> , <a href="#">communication</a> , <a href="#">current meter</a> , <a href="#">voltmeter</a>
<ul style="list-style-type: none"> <li>• <a href="#">lamaPLC: YR-3180 - Weight sensor module with UART or Modbus communication</a></li> </ul>	2026/02/14 23:00	<a href="#">communication</a> , <a href="#">modbus</a> , <a href="#">rtu</a> , <a href="#">sensor</a> , <a href="#">weight</a> , <a href="#">yr-3180</a> , <a href="#">hx710b</a> , <a href="#">arduino</a> , <a href="#">ttl</a> , <a href="#">rs-485</a>
<ul style="list-style-type: none"> <li>• <a href="#">Magnetic angle sensors</a></li> </ul>	2026/03/05 20:19	<a href="#">magnetic angle sensor</a> , <a href="#">magnetic flux</a> , <a href="#">sensor</a> , <a href="#">spi</a> , <a href="#">i2c</a> , <a href="#">pwm</a> , <a href="#">communication</a> , <a href="#">modul</a> , <a href="#">as5047p</a> , <a href="#">as5600</a> , <a href="#">mt6701</a> , <a href="#">mt6816</a> , <a href="#">mt6835</a> , <a href="#">tle5012b</a> , <a href="#">amr</a> , <a href="#">gmr</a> , <a href="#">tmr</a> , <a href="#">anisotropic magnetoresistive</a>
<ul style="list-style-type: none"> <li>• <a href="#">NT18B07: 7 Kanal RS485 Temperatur Sensor with Modbus RTU</a></li> </ul>	2026/02/14 17:49	<a href="#">nt18b07</a> , <a href="#">sensor</a> , <a href="#">modbus</a> , <a href="#">rtu</a> , <a href="#">rs-485</a> , <a href="#">communication</a> , <a href="#">platine</a>
<ul style="list-style-type: none"> <li>• <a href="#">Simatic Modbus S7 error- and statuscodes</a></li> </ul>	2025/11/13 22:59	<a href="#">communication</a> , <a href="#">bus</a> , <a href="#">modbus</a> , <a href="#">error</a> , <a href="#">modbus error code</a> , <a href="#">7000</a> , <a href="#">7001</a> , <a href="#">7002</a> , <a href="#">7003</a> , <a href="#">7004</a> , <a href="#">7005</a> , <a href="#">7006</a> , <a href="#">80a1</a> , <a href="#">simatic</a> , <a href="#">s7</a> , <a href="#">siemens</a> , <a href="#">tia</a>
<ul style="list-style-type: none"> <li>• <a href="#">Waveshare</a></li> </ul>	2023/06/17 19:43	<a href="#">waveshare</a> , <a href="#">converter</a> , <a href="#">modbus</a> , <a href="#">modbus rtu</a> , <a href="#">modbus tcp</a> , <a href="#">communication</a>
<ul style="list-style-type: none"> <li>• <a href="#">XTM35SC current / voltage meter</a></li> </ul>	2023/06/01 11:45	<a href="#">xtm35sc</a> , <a href="#">modbus</a> , <a href="#">modbus rtu</a> , <a href="#">measuring</a> , <a href="#">power</a> , <a href="#">communication</a> , <a href="#">current meter</a> , <a href="#">voltmeter</a>

[BMP280](#), [AHT20](#), [temperature](#), [humidity](#), [pressure](#), [sensor](#), [arduino](#), [oled](#), [SH1106](#), [arduino code](#)

This page has been accessed for: Today: 2, Until now: 2

From:

<https://www.lamaplc.com/> - **lamaPLC**

Permanent link:

<https://www.lamaplc.com/doku.php?id=sensor:digipot&rev=1775919021>

Last update: **2026/04/11 14:50**

